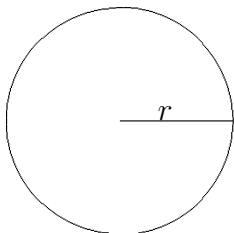


Think Radian Worksheet

Name: _____

1. What is the circumference?



2. If you measured the circumference in terms of the circle's own radius (r), how many are there going once around the circle (360°)

3. How many radians are there in 360° ?

4. How many radians are there in a straight angle (180°)?

5. How many radians in a right angle?

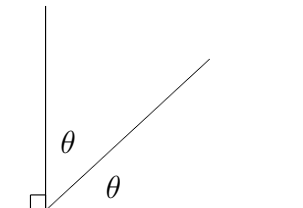
6. How many radians is each angle of an equilateral triangle?

7. The minute hand of a clock travels how many radians in 15 minutes?

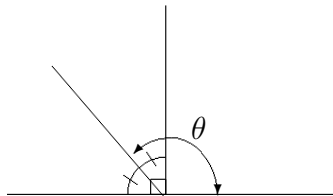
8. The minute hand of a clock travels how many radians in 10 minutes?

9. The minute hand of a clock travels how many radians in 5 minutes?

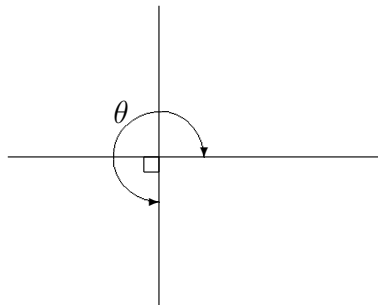
10. The measure of θ (in radians):



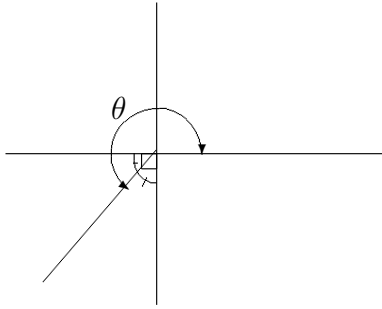
11. What is the measure of θ (in radians)?



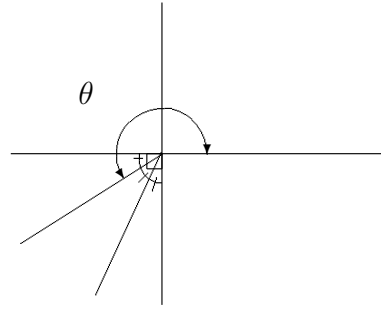
12. What is the measure of θ (in radians)?



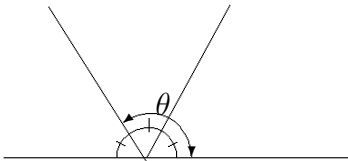
13. What is the measure of θ (in radians)?



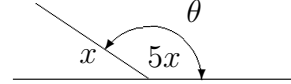
17. What is the measure of θ (in radians)?



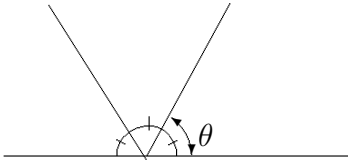
14. What is the measure of θ (in radians)?



18. What is the measure of θ (in radians)?



15. What is the measure of θ (in radians)?

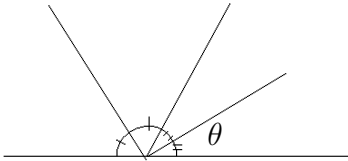


19. $\frac{\pi}{3}$ radians is how many degrees?

20. $\frac{\pi}{6}$ radians is how many degrees?

21. $\frac{\pi}{2}$ radians is how many degrees?

16. What is the measure of θ (in radians)?



22. $\frac{\pi}{4}$ radians is how many degrees?

23. $\frac{3\pi}{4}$ radians is how many degrees?

24. $\frac{2\pi}{3}$ radians is how many degrees?